

J10WC-WBU J10WD-WBU

10K

DN700~1000

SPECIFICATION

FOR JIS B2239 10K FLANGE MOUNTING

FACE-TO-FACE DIMENSION TO ISO 5752 / BS 5155 / BS EN 593

WORM GEAR OPERATOR

PRESSURE / TEMPERATURE RATINGS

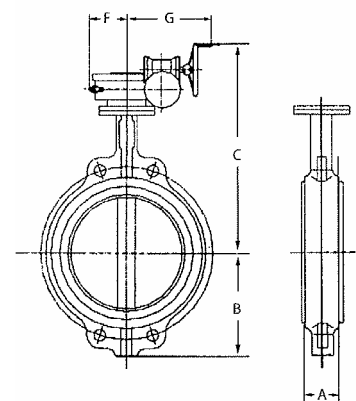
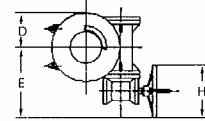
Working Pressure	1.0 Mpa
Testing Pressure	Shell : 1.5 Mpa Seat : 1.1 Mpa
Working Temperature	-20 °C to 110 °C (EPDM Seat) -10 °C to 80 °C (NBR Seat)
Suitable Media	Water, Oil & Gas

MATERIALS

Part	Material	JIS
Body	Cast Iron	FC 25
	Ductile Iron	FCD 40
Disc	Ductile Iron	FCD 40
	Aluminum Bronze	ALBC 2
	Stainless Steel 304	SCS 13
	Stainless Steel 316	SCS 14
Seat Ring	EPDM	
	NBR	
	PTFE	
	Viton	
Shaft	Stainless Steel 410	SUS 410
	Stainless Steel 431	SUS 431
	Stainless Steel 316	SUS 316
Taper Pins	Stainless Steel 316	SUS 316
Key	Carbon Steel	
O-Ring	NBR	
Bushing	Luberized Bronze (DN700~1000)	

DIMENSIONS

Size mm	A mm	B mm	C mm	D mm	E mm	F mm	G mm	H mm	Cv 90°
700	165	625	1011	173	457	173	358	424	49500
800	190	607	1046	173	457	173	358	424	68250
850	203	607	1112	173	457	173	358	424	77123
900	205	655	1196	201	480	203	409	424	86375
1000	218	1275	1275	201	480	203	409	424	119750



Note:

- Design and specifications are subject to change without prior notice.
- Other specifications and flange standards are available upon request.
- Actuator mounting flange conforms to ISO 5211 drilling.
- The butterfly valve can be supplied with electric or pneumatic actuator.