

J16LC-LBU J16LD-LBU

16K

DN50~350



SPECIFICATION

FOR JIS B2239 16K FLANGE MOUNTING
FACE-TO-FACE DIMENSION TO ISO 5752 / BS 5155 / BS EN 593
LEVER / WORM GEAR OPERATOR

PRESSURE / TEMPERATURE RATINGS

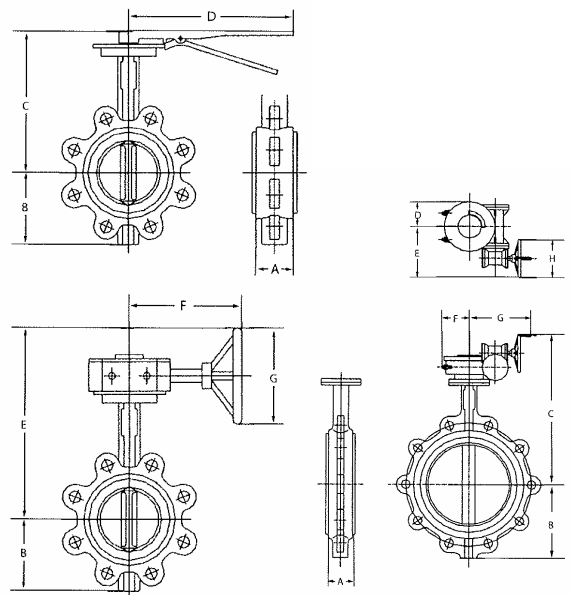
Working Pressure	1.6 Mpa
Testing Pressure	Shell : 2.4 Mpa Seat : 1.76 Mpa
Working Temperature	-20 °C to 110 °C (EPDM Seat) -10 °C to 80 °C (NBR Seat)
Suitable Media	Water, Oil & Gas

MATERIALS

Part	Material	JIS
Body	Cast Iron	FC 25
	Ductile Iron	FCD 40
Disc	Ductile Iron	FCD 40
	Aluminum Bronze	ALBC 2
	Stainless Steel 304	SCS 13
	Stainless Steel 316	SCS 14
Seat Ring	EPDM	
	NBR	
	PTFE	
	Viton	
Shaft	Stainless Steel 410	SUS 410
	Stainless Steel 431	SUS 431
	Stainless Steel 316	SUS 316
Taper Pins	Stainless Steel 316	SUS 316
Key	Carbon Steel	
O-Ring	NBR	
Bushing	PTFE	
	Luberized Bronze	

DIMENSIONS

Size mm	A mm	B mm	C mm	D mm	E mm	F mm	G mm	H mm	Cv 90°
50	42	80	195	267	272	173	150	-	135
65	45	89	208	267	287	173	150	-	220
80	45	97	213	267	292	173	150	-	302
100	52	114	234	267	310	173	150	-	600
125	54	127	246	267	325	173	150	-	1022
150	56	140	259	267	338	173	150	-	1579
200	61	175	305	358	452	239	302	-	3136
250	66	203	338	358	485	239	302	-	5340
300	77	244	381	358	526	226	302	-	8250
350	77	269	-	-	556	226	302	-	11917
400	87/102	318	686	104	328	104	279	302	16388
450	106/114	333	709	104	328	104	279	302	21705
500	132	371	767	142	328	145	305	302	27908
600	132	556	851	142	394	145	305	391	43116



Note:

- Design and specifications are subject to change without prior notice.
- Other specifications and flange standards are available upon request.
- Actuator mounting flange conforms to ISO 5211 drilling.
- The butterfly valve can be supplied with electric or pneumatic actuator.