

J16FD-CBU

16K

DN400~600

SPECIFICATION

DOUBLE-STAGE WORM GEAR OPERATOR

J10FC-CBU

10K

DN700~1200

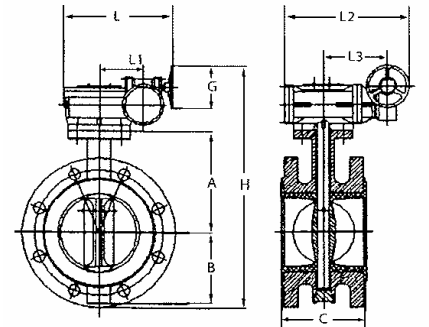
PRESSURE / TEMPERATURE RATINGS



Working Pressure	1.6 Mpa (DN400~600) 1.0 Mpa (DN700~1200)
Testing Pressure	Shell : 2.4 Mpa (DN400~600) 1.5 Mpa (DN700~1200) Seat : 1.76 Mpa (DN400~600) 1.1 Mpa (DN700~1200)
Working Temperature	-20 °C to 110 °C (EPDM Seat) -10 °C to 80 °C (NBR Seat)
Suitable Media	Water, Oil & Gas

DIMENSIONS

Size	A	B	C	H	L	L1	L2	L3	G	Cv
mm	mm	mm	mm	mm	mm	mm	mm	mm	mm	90°
400	376	296	216	957	103	174	104	103	279	16388
450	407	316	222	1007	103	174	104	103	279	21705
500	448	352	229	1085	103	174	104	103	305	27908
600	518	441	267	1246	138	174	130	138	305	43116
700	560	473	292	1415	560	1415	243	173	358	49500
800	620	527	318	1528	620	1529	243	173	358	68250
900	685	581	330	1741	685	1742	278	201	409	86375
1000	735	653	410	1863	735	1864	278	201	409	119750
1200	917	796	470	2240	917	2241	458	310	435	154000



Note:

1. Design and specifications are subject to change without prior notice.
2. Other specifications and flange standards are available upon request.
3. Actuator mounting flange conforms to ISO 5211 drilling.
4. The butterfly valve can be supplied with electric or pneumatic actuator.