

D16FC-NGA-F5

PN16

DN40~300

SPECIFICATION

NON-RISING STEM · INSIDE SCREW

DIN 3352 · FLANGED TO DIN 2532 PN10 / PN16

FACE-TO-FACE DIMENSION CONFORMS TO DIN 3202 F5 SERIES



PRESSURE / TEMPERATURE RATINGS

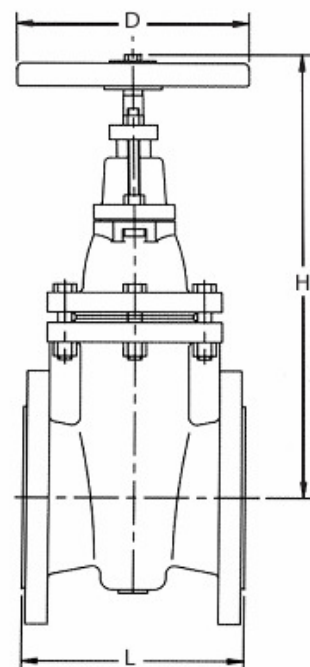
Working Pressure	16 bar
Testing Pressure	Shell : 24 bar Seat : 17.6 bar
Working Temperature	-10 °C to 120 °C
Suitable Media	Water, Oil & Gas

MATERIALS

Part	Material	DIN
Body	Cast Iron	1691 GG25
Bonnet	Cast Iron	1691 GG25
Disc	Cast Iron	1691 GG25
Seat Ring	Brass	17660 CuZn39Pb3
Stem	Brass Stainless Steel	17660 CuZn39Pb3 17440x20Cr13
Packing	Graphite	Non-Asbestos
Handwheel	Cast Iron	1691 GG25

DIMENSIONS

Size mm	L mm	H mm	D mm
40	240	270	160
50	250	292	160
65	270	324	160
80	280	360	160
100	300	380	200
125	325	454	250
150	350	490	250
200	400	578	250
250	450	711	320
300	500	767	320
350	550	870	400
400	600	941	400



Note:

1. Other specifications and flange standards are available upon request.
2. Design and specifications are subject to change without prior notice.