

### B25LD-LBU

### PN25

DN50~350



#### SPECIFICATION

FOR BS 4504 PN25 FLANGE MOUNTING

FACE-TO-FACE DIMENSION TO ISO 5752 / BS 5155 / BS EN 593

LEVER / WORM GEAR OPERATOR

#### PRESSURE / TEMPERATURE RATINGS

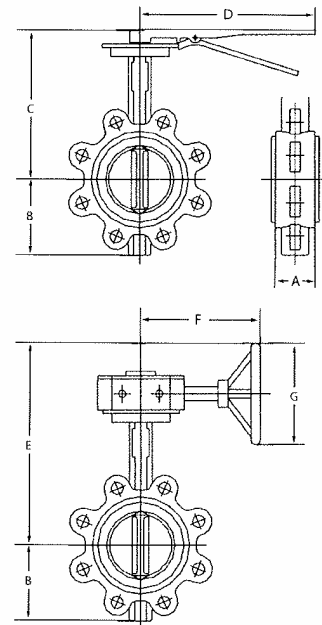
Working Pressure	25 bar
Testing Pressure	Shell : 37.5 bar Seat : 27.5 bar
Working Temperature	-20 °C to 110 °C (EPDM Seat) -10 °C to 80 °C (NBR Seat)
Suitable Media	Water, Oil & Gas

#### MATERIALS

Part	Material	BS
Body	Ductile Iron	Gr. 420/12
Disc	Ductile Iron Aluminum Bronze Stainless Steel 304 Stainless Steel 316	Gr. 420/12 1400 AB2 304 C15 316 C16
Seat Ring	EPDM NBR Viton	
Shaft	Stainless Steel 431	431 S29
Taper Pins	Stainless Steel 316	316 S16
Key	Carbon Steel	
O-Ring	NBR	
Bushing	PTFE / Luberized Bronze	

#### DIMENSIONS

Size mm	A mm	B mm	C mm	D mm	E mm	F mm	G mm	Cv 90°
50	42	80	195	267	272	173	150	135
65	45	89	208	267	287	173	150	220
80	45	97	213	267	292	173	150	302
100	52	114	234	267	310	173	150	600
125	54	127	246	267	325	173	150	1022
150	56	140	259	267	338	173	150	1579
200	61	175	305	358	452	239	302	3136
250	66	203	338	358	485	239	302	5340
300	77	244	381	358	526	226	302	8250
350	77	269	-	-	556	226	302	11917



Note:

- Design and specifications are subject to change without prior notice.
- Other specifications and flange standards are available upon request.
- Actuator mounting flange conforms to ISO 5211 drilling.
- The butterfly valve can be supplied with electric or pneumatic actuator.