

B16FC-EBU B16FD-EBU

PN16

DN350~1200

SPECIFICATION

DOUBLE ECCENTRIC TYPE · FLANGED TO BS 4504 PN16
FACE-TO-FACE DIMENSION TO ISO 5752 / BS 5155 / BS EN 593
DOUBLE-STAGE WORM GEAR OPERATOR

PRESSURE / TEMPERATURE RATINGS

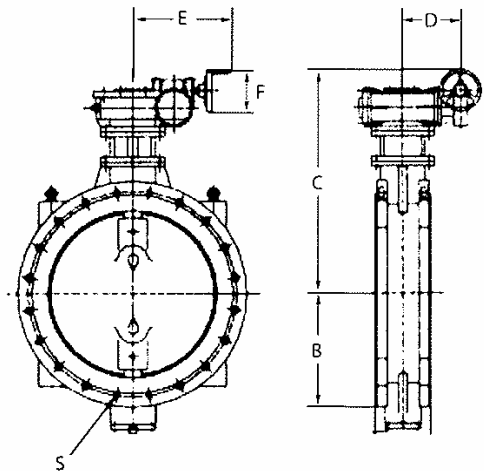
Working Pressure	16 bar
Testing Pressure	Shell : 24 bar Seat : 17.6 bar
Working Temperature	-20 °C to 110 °C (EPDM Seat) -10 °C to 80 °C (NBR Seat)
Suitable Media	Water, Oil & Gas

MATERIALS

Part	Material	BS
Body	Cast Iron	Gr. 220
	Ductile Iron	Gr. 420/12
Disc	Ductile Iron	Gr. 420/12
Seat Ring	EPDM	
	NBR	
	Viton	
Shaft	Stainless Steel 410	410 S21
	Stainless Steel 431	431 S29
	Stainless Steel 316	316 S16
Taper Pins	Stainless Steel 316	316 S16
Key	Carbon Steel	
O-Ring	NBR	
Bushing	Luberized Bronze	

DIMENSIONS

Size mm	A mm	B mm	C mm	D mm	E mm	F mm
350	127	319	733	200	278	300
400	140	338	770	200	304	300
450	152	385	789	243	304	300
500	152	432	823	243	357	435
600	178	486	998	244	357	435
700	229	681	1052	378	410	435
800	241	749	1112	378	410	435
900	241	828	1264	458	509	435
1000	300	889	1286	458	509	435
1200	350	978	1550	600	709	480



Note:

1. Design and specifications are subject to change without prior notice.
2. Other specifications and flange standards are available upon request.
3. Actuator mounting flange conforms to ISO 5211 drilling.
4. The butterfly valve can be supplied with electric or pneumatic actuator.