

B10FC-CBU B10FD-CBU

PN10

DN700~1200



SPECIFICATION

CONCENTRIC TYPE · FLANGED TO BS 4504 PN16

FACE-TO-FACE DIMENSION TO ISO 5752 / BS 5155 (DOUBLE FLANGE SHORT BODY)
/ EN558-1 BASIC SERIES 13 (DOUBLE FLANGE SHORT BODY) / API 609

WORM GEAR OPERATOR

PRESSURE / TEMPERATURE RATINGS

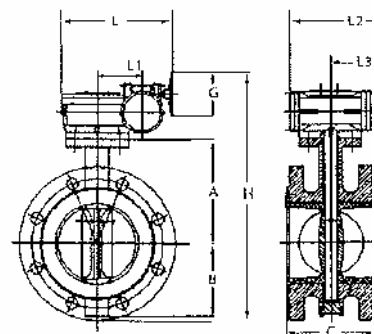
Working Pressure	10 bar
Testing Pressure	Shell : 15 bar Seat : 11 bar
Working Temperature	-20 °C to 110 °C (EPDM Seat) -10 °C to 80 °C (NBR Seat)
Suitable Media	Water, Oil & Gas

MATERIALS

Part	Material	BS
Body	Cast Iron	Gr. 220
	Ductile Iron	Gr. 420/12
Disc	Ductile Iron	Gr. 420/12
	Aluminum Bronze	1400 AB2
	Stainless Steel 304	304 C15
	Stainless Steel 316	316 C16
Seat Ring	EPDM	
	NBR	
	Viton	
Shaft	Stainless Steel 410	410 S21
	Stainless Steel 431	431 S29
	Stainless Steel 316	316 S16
Taper Pins	Stainless Steel 316	316 S16
Key	Carbon Steel	
O-Ring	NBR	
Bushing	Luberized Bronze	

DIMENSIONS

Size mm	A mm	B mm	C mm	H mm	L mm	L1 mm	L2 mm	L3 mm	G mm	Cv 90°
700	560	473	292	1415	560	1415	243	173	358	49500
800	620	527	318	1528	620	1529	243	173	358	68250
900	685	581	330	1741	685	1742	278	201	409	86375
1000	735	653	410	1863	735	1864	278	201	409	119750
1200	917	796	470	2240	917	2241	458	310	435	154000



Note:

1. Design and specifications are subject to change without prior notice.
2. Other specifications and flange standards are available upon request.
3. Actuator mounting flange conforms to ISO 5211 drilling.
4. The butterfly valve can be supplied with electric or pneumatic actuator.