

### B16FC-RCH-E

### PN16

DN50~300



#### SPECIFICATION

FLANGED TO BS 4504 PN16

#### PRESSURE / TEMPERATURE RATINGS

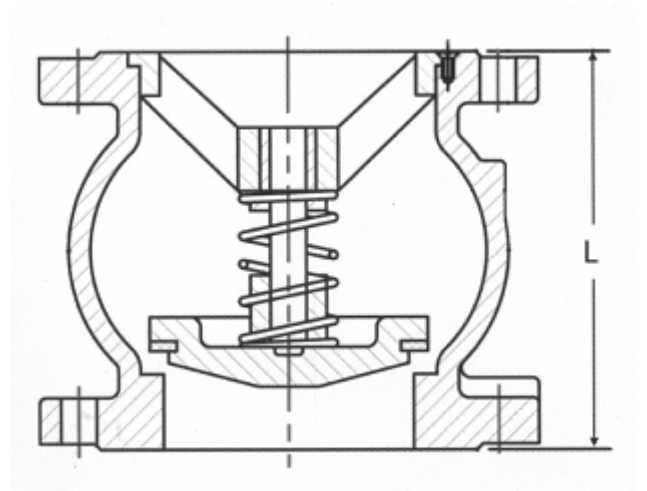
Working Pressure	16 bar
Testing Pressure	Shell : 24 bar Seat : 17.6 bar
Working Temperature	-10 °C to 120 °C (EPDM Seat) -10 °C to 80 °C (NBR Seat)
Suitable Media	Water, Oil & Gas

#### MATERIALS

Part	Material	BS
Body	Cast Iron	1452 Gr. 220
Disc	Ductile Iron	Gr. 420
Spring	Stainless Steel	970 304S15
Shaft	Stainless Steel	970 420S37
Bushing	Gunmetal	1400 LG2
Seat	EPDM	

#### DIMENSIONS

Size mm	L mm
50	100
65	120
80	135
100	165
125	200
150	231
200	288
250	354
300	395



Note:

1. Other specifications and flange standards are available upon request.
2. Design and specifications are subject to change without prior notice.