

B16FC-RGL

PN16

DN50~300



SPECIFICATION

RISING STEM · OUTSIDE SCREW AND YOKE

BS 5152 · FLANGED TO BS 4504 PN16

PRESSURE / TEMPERATURE RATINGS

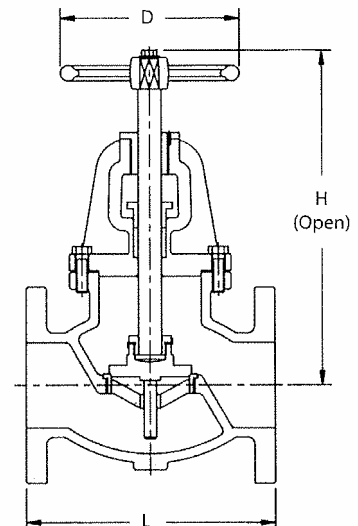
Working Pressure	16 bar
Testing Pressure	Shell : 24 bar Seat : 17.6 bar
Working Temperature	-10 °C to 120 °C
Suitable Media	Water, Oil & Gas

MATERIALS

Part	Material	BS
Body	Cast Iron	1452 Gr. 220
Bonnet	Cast Iron	1452 Gr. 220
Disc	Gunmetal	1400 LG 2
Seat Ring	Gunmetal	1400 LG 2
Stem	Brass Stainless Steel	2874 CZ 124 970 420S37
Packing	Graphite	Non-Asbestos
Handwheel	Cast Iron	1452 Gr. 220

DIMENSIONS

Size mm	L mm	H (Open) mm	D mm
50	203	293	190
65	216	327	190
80	241	342	190
100	292	385	300
125	330	422	300
150	356	508	350
200	495	578	350
250	622	720	400
300	698	859	450



Note:

1. Other specifications and flange standards are available upon request.
2. Design and specifications are subject to change without prior notice.