

B16TC-AAI

PN16

DN15~25



SPECIFICATION

THREADED TO BS21

PRESSURE / TEMPERATURE RATINGS

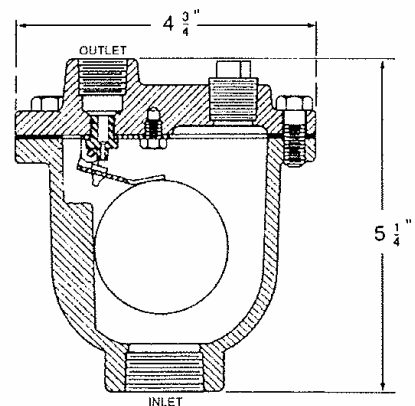
Working Pressure	16 bar
Testing Pressure	24 bar
Working Temperature	-10 °C to 120 °C
Suitable Media	Water

MATERIALS

Part	Material	BS
Body	Cast Iron	1452 Gr. 220
Cover	Cast Iron	1452 Gr. 220
Level	Stainless Steel	970 304S15
Seat	Stainless Steel	970 304S15
Float	Stainless Steel	970 304S15
Float Arm	Stainless Steel	970 304S15
Orifice Button	Viton	

DIMENSIONS

Size mm	Inlet mm	Outlet mm	Orifice mm
15	15	15	1.6
20	20	15	1.6
25	25	15	1.6



Note:

1. Other specifications and flange standards are available upon request.
2. Design and specifications are subject to change without prior notice.