

A125WC-WBU A125WD-WBU

Class 125

2"~24"



SPECIFICATION

FOR ANSI CLASS 125 FLANGE MOUNTING
FACE-TO-FACE DIMENSION TO ISO 5752 / BS 5155 / BS EN 593
LEVER / WORM GEAR OPERATOR

PRESSURE / TEMPERATURE RATINGS

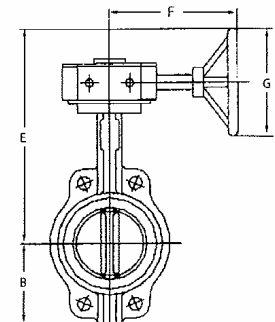
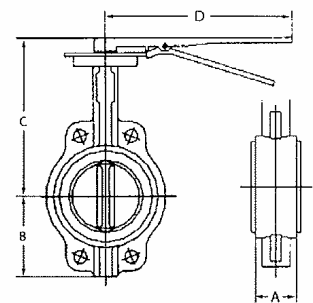
Working Pressure	200 psi
Testing Pressure	Shell : 350 psi Seat : 220 psi
Working Temperature	-4 °F to 230 °F (EPDM Seat) -14 °F to 176 °F (NBR Seat)
Suitable Media	Water, Oil & Gas

MATERIALS

Part	Material	ASTM
Body	Cast Iron	A126 Class B
	Ductile Iron	A536 Gr. 65-45-12
Disc	Ductile Iron	A536 Gr. 65-45-12
	Aluminum Bronze	B 148-97 C95400
	Stainless Steel 304	A351 CF-8
	Stainless Steel 316	A351 CF-8M
Seat Ring	EPDM	
	NBR	
	PTFE	
	Viton	
Shaft	Stainless Steel 410	S41000
	Stainless Steel 431	S43100
	Stainless Steel 316	S31600
Taper Pins	Stainless Steel 316	S31600
Key	Carbon Steel	
O-Ring	NBR	
Bushing	PTFE (2"~24")	
	Luberized Bronze (2"~40")	

DIMENSIONS

Size inch	A inch	B inch	C inch	D inch	E inch	F inch	G inch	H Inch	Cv 90°
2	1.7	3.1	7.7	10.5	10.7	6.8	5.9	-	135
2-1/2	1.8	3.5	8.2	10.5	11.3	6.8	5.9	-	220
3	1.8	3.8	8.4	10.5	11.5	6.8	5.9	-	302
4	2	4.5	9.2	10.5	12.2	6.8	5.9	-	600
5	2.1	5	9.7	10.5	12.8	6.8	5.9	-	1022
6	2.2	5.5	10.2	10.5	13.3	6.8	5.9	-	1579
8	2.4	6.9	12	14.1	17.8	9.4	11.9	-	3136
10	2.6	8	13.3	14.1	19.1	9.4	11.9	-	5340
12	3	9.6	15	14.1	20.7	8.9	11.9	-	8250
14	3	10.6	-	-	21.9	8.9	11.9	-	11917
16	3.4/4.01	12.5	27	4.1	12.9	4.1	11	11.9	16388
18	4.2/4.48	13.1	27.9	4.1	12.9	4.1	11	11.9	21705
20	5.2	14.6	31.2	5.6	12.9	5.7	12	11.9	27908
24	6	21.9	33.5	5.6	15.5	5.7	12	15.4	43116



Note:

- Design and specifications are subject to change without prior notice.
- Other specifications and flange standards are available upon request.
- Actuator mounting flange conforms to ISO 5211 drilling.
- The butterfly valve can be supplied with electric or pneumatic actuator.