

A100WC-WBU A100WD-WBU

Class 100
28"~40"

SPECIFICATION

FOR ANSI CLASS 100 FLANGE MOUNTING
FACE-TO-FACE DIMENSION TO ISO 5752 / BS 5155 / BS EN 593
WORM GEAR OPERATOR

PRESSURE / TEMPERATURE RATINGS

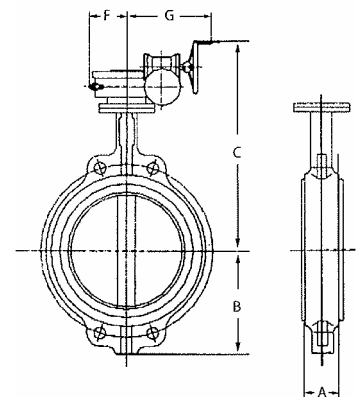
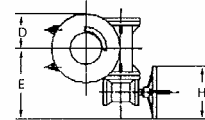
Working Pressure	200 psi
Testing Pressure	Shell : 350 psi Seat : 220 psi
Working Temperature	-4 °F to 230 °F (EPDM Seat) -14 °F to 176 °F (NBR Seat)
Suitable Media	Water, Oil & Gas

MATERIALS

Part	Material	ASTM
Body	Cast Iron	A126 Class B
	Ductile Iron	A536 Gr. 65-45-12
Disc	Ductile Iron	A536 Gr. 65-45-12
	Aluminum Bronze	B 148-97 C95400
	Stainless Steel 304	A351 CF-8
	Stainless Steel 316	A351 CF-8M
Seat Ring	EPDM	
	NBR	
	PTFE	
	Viton	
Shaft	Stainless Steel 410	S41000
	Stainless Steel 431	S43100
	Stainless Steel 316	S31600
Taper Pins	Stainless Steel 316	S31600
Key	Carbon Steel	
O-Ring	NBR	
Bushing	Luberized Bronze (28"~40")	

DIMENSIONS

Size inch	A inch	B inch	C inch	D inch	E inch	F inch	G inch	H Inch	Cv 90°
28	6.5	24.6	39.8	6.8	18	6.8	14.1	16.7	49500
32	7.5	23.9	41.2	6.8	18	6.8	14.1	16.7	68250
36	8.1	25.8	47.1	7.9	18.9	8	16.1	16.7	86375
40	8.6	50.2	50.2	7.9	18.9	8	16.1	16.7	119750



Note:

- Design and specifications are subject to change without prior notice.
- Other specifications and flange standards are available upon request.
- Actuator mounting flange conforms to ISO 5211 drilling.
- The butterfly valve can be supplied with electric or pneumatic actuator.