

A125FC-EBU A125FD-EBU

Class 125

14"~48"

SPECIFICATION

DOUBLE ECCENTRIC TYPE · FLANGED TO ANSI CLASS 125
FACE-TO-FACE DIMENSION TO ISO 5752 / BS 5155 / BS EN 593
DOUBLE-STAGE WORM GEAR OPERATOR

PRESSURE / TEMPERATURE RATINGS

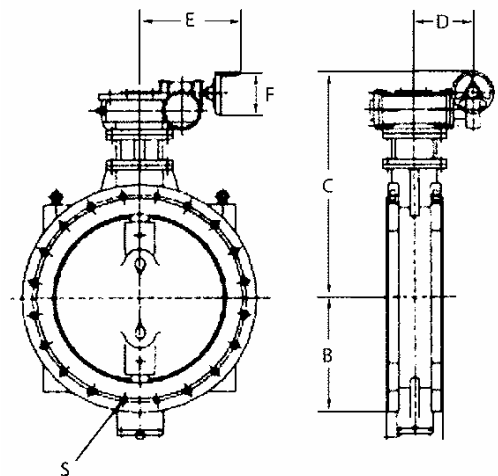
Working Pressure	200 psi
Testing Pressure	Shell : 350 psi Seat : 220 psi
Working Temperature	-4 °F to 230 °F (EPDM Seat) 14 °F to 176 °F (NBR Seat)
Suitable Media	Water, Oil & Gas

MATERIALS

Part	Material	ASTM
Body	Cast Iron Ductile Iron	A126 Class B A536 Gr. 65-45-12
Disc	Ductile Iron	A536 Gr. 65-45-12
Seat Ring	EPDM NBR Viton	
Shaft	Stainless Steel 410 Stainless Steel 431 Stainless Steel 316	S41000 S43100 S31600
Taper Pins	Stainless Steel 316	S31600
Key	Carbon Steel	
O-Ring	NBR	
Bushing	Luberized Bronze	

DIMENSIONS

Size inch	A inch	B inch	C inch	D inch	E inch	F Inch
14	5	12.6	28.9	7.9	10.9	11.8
16	5.5	13.3	30.3	7.9	12	11.8
18	6	15.2	31.3	9.6	12	11.8
20	6	17.0	32.4	9.6	14.1	17.1
24	7	19.1	38.3	9.6	14.1	17.1
28	9	26.8	41.4	14.9	16.1	17.1
32	9.5	29.5	43.8	14.9	16.1	17.1
36	9.5	32.6	49.8	18	20	17.1
40	11.8	35.0	50.6	18	20	17.1
48	13.8	38.5	61.0	23.6	27.9	18.9



Note:

1. Design and specifications are subject to change without prior notice.
2. Other specifications and flange standards are available upon request.
3. Actuator mounting flange conforms to ISO 5211 drilling.
4. The butterfly valve can be supplied with electric or pneumatic actuator.