

A125FC-CBU A125FD-CBU

Class 125

2"~24"



SPECIFICATION

CONCENTRIC TYPE · FLANGED TO ANSI CLASS 125

FACE-TO-FACE DIMENSION TO ISO 5752 / BS 5155 (DOUBLE FLANGE SHORT BODY)

/ EN558-1 BASIC SERIES 13 (DOUBLE FLANGE SHORT BODY) / API 609

LEVER / WORM GEAR OPERATOR

PRESSURE / TEMPERATURE RATINGS

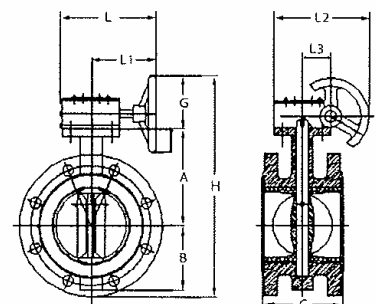
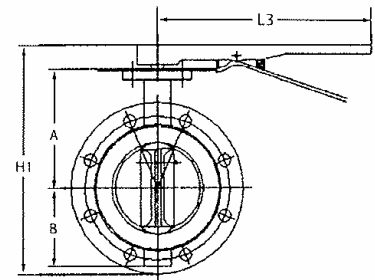
Working Pressure	200 psi
Testing Pressure	Shell : 350 psi Seat : 220 psi
Working Temperature	-4 °F to 230 °F (EPDM Seat) 14 °F to 176 °F (NBR Seat)
Suitable Media	Water, Oil & Gas

MATERIALS

Part	Material	ASTM
Body	Cast Iron	A126 Class B
	Ductile Iron	A536 Gr. 65-45-12
Disc	Ductile Iron	A536 Gr. 65-45-12
	Aluminum Bronze	B 148-97 C95400
	Stainless Steel 304	A351 CF-8
	Stainless Steel 316	A351 CF-8M
Seat Ring	EPDM	
	NBR	
	Viton	
Shaft	Stainless Steel 410	S41000
	Stainless Steel 431	S43100
	Stainless Steel 316	S31600
Taper Pins	Stainless Steel 316	S31600
Key	Carbon Steel	
O-Ring	NBR	
Bushing	Luberized Bronze	

DIMENSIONS

Size inch	A inch	B inch	C inch	H inch	L inch	L1 inch	L2 inch	L3 inch	G inch	Cv 90°
2	4.3	3.1	4.3	11.9	8.9	6.8	1.8	10.5	5.9	135
2-1/2	5.3	3.1	4.4	13.3	8.9	6.8	1.8	10.5	5.9	220
3	5.2	3.7	4.5	13.5	8.9	6.8	1.8	10.5	5.9	302
4	5.9	4.5	5.0	14.6	8.9	6.8	1.8	10.5	5.9	600
5	6.7	4.5	5.5	16.0	8.9	6.8	1.8	10.5	5.9	1022
6	7.1	5.5	5.5	17.1	8.9	6.8	1.8	10.5	5.9	1579
8	8.3	6.9	6.0	22.6	12.3	9.4	2.5	14.1	11.9	3136
10	9.7	8.0	6.5	25.2	12.3	9.4	2.5	14.1	11.9	5340
12	10.9	9.5	7.0	27.4	12.1	8.9	3.1	14.1	11.9	8250
14	12.9	10.1	7.5	30.6	12.1	8.9	3.1	-	11.9	11917
16	14.8	11.7	8.5	37.7	4.1	6.9	4.1	4.1	11	16388
18	16	12.4	8.7	39.7	4.1	6.9	4.1	4.1	11	21705
20	17.6	13.9	9	42.7	4.1	6.9	4.1	4.1	12	27908
24	20.4	17.4	10.5	49.1	5.4	6.9	5.4	5.4	12	43116



Note:

1. Design and specifications are subject to change without prior notice.
2. Other specifications and flange standards are available upon request.
3. Actuator mounting flange conforms to ISO 5211 drilling.
4. The butterfly valve can be supplied with electric or pneumatic actuator.