

A100FC-CBU A100FD-CBU

Class 100
28"~48"



SPECIFICATION

CONCENTRIC TYPE · FLANGED TO ANSI CLASS 100
FACE-TO-FACE DIMENSION TO ISO 5752 / BS 5155 (DOUBLE FLANGE SHORT BODY)
/ EN558-1 BASIC SERIES 13 (DOUBLE FLANGE SHORT BODY) / API 609
WORM GEAR OPERATOR

PRESSURE / TEMPERATURE RATINGS

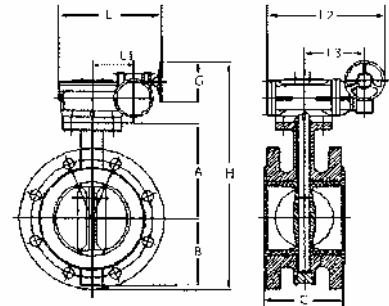
Working Pressure	150 psi
Testing Pressure	Shell : 262 psi Seat : 165 psi
Working Temperature	-4 °F to 230 °F (EPDM Seat) 14 °F to 176 °F (NBR Seat)
Suitable Media	Water, Oil & Gas

MATERIALS

Part	Material	ASTM
Body	Cast Iron Ductile Iron	A126 Class B A536 Gr. 65-45-12
Disc	Ductile Iron Aluminum Bronze Stainless Steel 304 Stainless Steel 316	A536 Gr. 65-45-12 B 148-97 C95400 A351 CF-8 A351 CF-8M
Seat Ring	EPDM NBR Viton	
Shaft	Stainless Steel 410 Stainless Steel 431 Stainless Steel 316	S41000 S43100 S31600
Taper Pins	Stainless Steel 316	S31600
Key	Carbon Steel	
O-Ring	NBR	
Bushing	Luberized Bronze	

DIMENSIONS

Size inch	A inch	B inch	C inch	H inch	L inch	L1 inch	L2 inch	L3 inch	G inch	Cv 90°
28	22	18.6	11.5	55.7	22	55.7	9.6	6.8	14.1	49500
32	24.4	20.7	12.5	60.2	24.4	60.2	9.6	6.8	14.1	68250
36	27	22.9	13	68.5	27	68.6	10.6	7.9	16.1	86375
40	28.9	25.7	16.1	73.3	28.9	73.4	10.9	7.9	16.1	119750
48	36.1	31.3	18.5	88.2	36.1	88.2	18	12.2	17.1	154000



Note:

1. Design and specifications are subject to change without prior notice.
2. Other specifications and flange standards are available upon request.
3. Actuator mounting flange conforms to ISO 5211 drilling.
4. The butterfly valve can be supplied with electric or pneumatic actuator.