

A125FC-RCH-E

Class 125

2"~12"



SPECIFICATION

FLANGED TO ANSI CLASS 125

PRESSURE / TEMPERATURE RATINGS

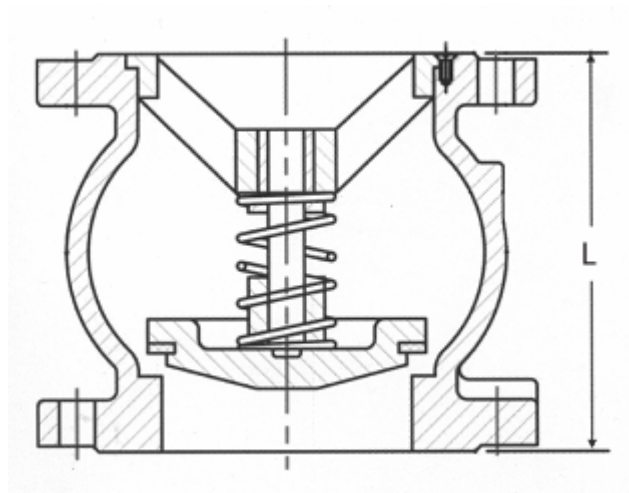
Working Pressure	200 psi
Testing Pressure	Shell : 350 psi Seat : 220 psi
Working Temperature	14 °F to 248 °F
Suitable Media	Water

MATERIALS

Part	Material	ASTM
Body	Cast Iron	A126 Class B
Disc	Cast Iron	A536 Gr. 65-45-12
Spring	Stainless Steel	AISI 304
Stem	Stainless Steel	AISI 420
Bushing	Gunmetal	B62 C83600
Seat	EPDM	

DIMENSIONS

Size inch	L inch
2	3.9
2-1/2	4.7
3	5.3
4	6.5
5	7.9
6	9.1
8	11.3
10	13.9
12	15.6



Note:

1. Other specifications and flange standards are available upon request.
2. Design and specifications are subject to change without prior notice.