

A125TC-AAI

Class 125

1/2"~1"



SPECIFICATION

THREADED TO ANSI B1.20.1

PRESSURE / TEMPERATURE RATINGS

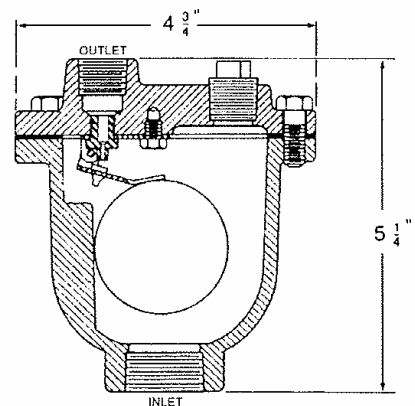
Working Pressure	200 psi
Testing Pressure	350 psi
Working Temperature	-14 °C to 248 °C
Suitable Media	Water

MATERIALS

Part	Material	ASTM
Body	Cast Iron	A125 Class B
Cover	Cast Iron	A125 Class B
Level	Stainless Steel	AISI 304
Seat	Stainless Steel	AISI 304
Float	Stainless Steel	AISI 304
Float Arm	Stainless Steel	AISI 304
Orifice Button	Viton	

DIMENSIONS

Size inch	Inlet inch	Outlet inch	Orifice inch
1/2	1/2	1/2	1/16
3/4	3/4	1/2	1/16
1	1	1/2	1/16



Note:

1. Other specifications and flange standards are available upon request.
2. Design and specifications are subject to change without prior notice.