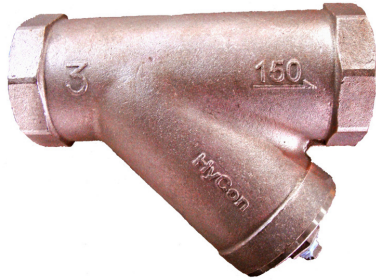


### A150TG-YST

#### Class 150

DN15~80



#### SPECIFICATION

Y-PATTERN BODY · SCREWED CAP WITH PLUG  
 STAINLESS STEEL 304 SCREEN · ASBESTOS FREE  
 THREADED TO BS 21 (ISO 7) / ASME B1.20.1  
 SIZE RANGE 15mm (1/2") ~ 80mm (3")

#### PRESSURE / TEMPERATURE RATINGS

Working Pressure	300 psi (20.7 bar) WOG Non-Shock 150 psi (10.3 bar) Saturated Steam
Testing Pressure	450 psi (31 bar) Hydrostatic 80 psi (5.5 bar) Air

#### MATERIALS

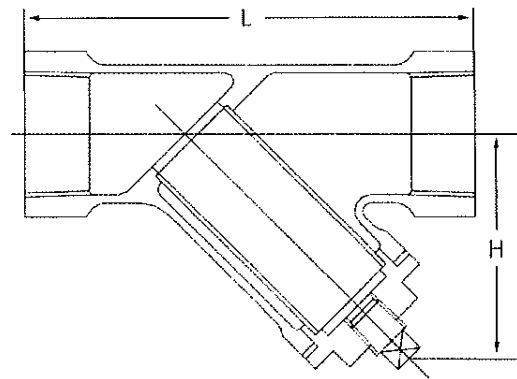
Part	Material	ASTM	BS
Body	Bronze (Gunmetal)	B584 C84400	1400 LG1
Cap	Bronze (Gunmetal)	B584 C84400	1400 LG1
Plug	Brass	B584 C85700	1400 SCB4
Screen	Stainless Steel 304	A240 304	1449 304S31
Gasket	Non-Asbestos Sheet		

#### STANDARD SCREENS

Size		Hole Diameter		Free Flow Area
mm	inch	mm	inch	Inch <sup>2</sup>
15~80	1/2~3	1.4 x 1.2	0.06 x 0.05	225

#### DIMENSIONS

Size		L		H	
mm	Inch	mm	Inch	mm	inch
15	1/2	82	3.2	49	1.9
20	3/4	100	3.9	59	2.3
25	1	115	4.5	66	2.6
32	1-1/4	136	5.4	80	3.2
40	1-1/2	158	6.2	90	3.5
50	2	191	7.5	112	4.4
65	2-1/2	230	9.1	133	5.2
80	3	259	10.2	151	5.9



#### Note:

1. Other materials and threaded standards are available upon request.
2. Design and specifications are subject to change without prior notice.

ERROR: stackunderflow  
OFFENDING COMMAND: ~

STACK: