

B25TG-NGA

PN25

DN15~100



SPECIFICATION

SCREWED-IN BONNET · SOLID WEDGE DISC

NON-RISING STEM · INTEGRAL SEAT · ASBESTOS FREE

BS 5154 · THREADED TO BS 21 (ISO 7) / ASME B1.20.1

SIZE RANGE 15mm (1/2") ~ 100mm (4")

PRESSURE / TEMPERATURE RATINGS

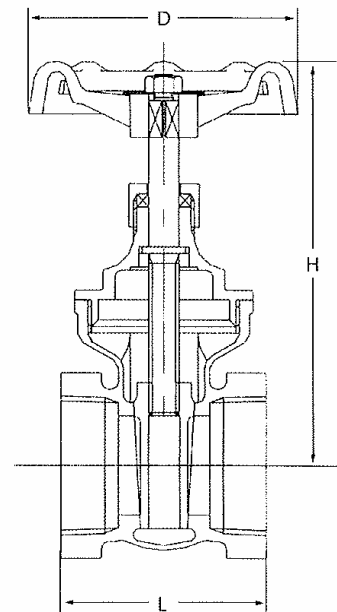
Working Pressure	363 psi (25 bar) WOG Non-Shock 150 psi (10.3 bar) Saturated Steam
Testing Pressure	Shell : 544 psi (37.5 bar) Hydrostatic Seat : 399 psi (27.5 bar) Hydrostatic 80 psi (5.5 bar) Air

MATERIALS

Part	Material	ASTM	BS
Body	Bronze (Gunmetal)	B584 C84400	1400 LG1
Bonnet	Bronze (Gunmetal)	B584 C84400	1400 LG1
Disc	Bronze (Gunmetal)	B584 C84400	1400 LG1
Stem	Aluminum Bronze	B16 C36000	2874 CA104
Packing	PTFE		
Packing Nut	Brass	B16 C36000	2874 CZ121
Handwheel	Cast Iron	A48 No.35	1452 Gr.200

DIMENSIONS

Size		L		H		D	
mm	Inch	mm	Inch	mm	inch	mm	inch
15	1/2	50	2.0	74	2.9	53	2.1
20	3/4	54	2.1	86	3.4	58	2.3
25	1	54	2.1	100	4.0	72	2.8
32	1-1/4	62	2.4	119	4.7	78	3.1
40	1-1/2	71	2.8	130	5.1	78	3.1
50	2	72	2.8	152	6.0	97	3.8
65	2-1/2	89	3.5	187	7.4	108	4.3
80	3	101	4.0	215	8.5	126	5.0
100	4	116	4.6	245	9.6	178	7.0



Note:

1. Other materials and threaded standards are available upon request.
2. Design and specifications are subject to change without prior notice.