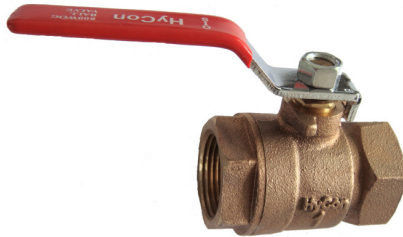


### A600TG-FBA

#### Type 600

DN15~100



#### SPECIFICATION

SCREWED BODY CAP · FULL BORE

BLOW-OUT PROOF STEM · PTFE SEAT

THREADED TO BS 21 (ISO 7) / ASME B1.20.1

SIZE RANGE 15mm (1/2") ~ 100mm (4")

#### PRESSURE / TEMPERATURE RATINGS

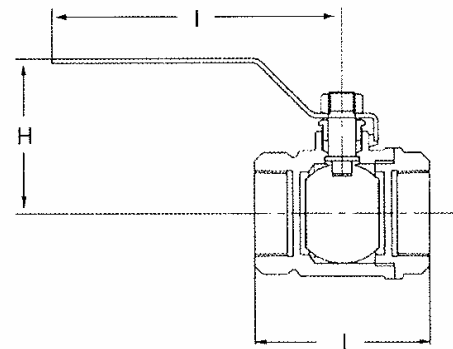
Working Pressure	600 psi (41.3 bar) WOG Non-Shock 150 psi (10.3 bar) Saturated Steam
Testing Pressure	Shell : 900 psi (62 bar) Hydrostatic Seat : 660 psi (45.5 bar) Hydrostatic 80 psi (5.5 bar) Air

#### MATERIALS

Part	Material	ASTM	BS
Body	Bronze (Gunmetal)	B584 C84400	1400 LG1
Cap	Bronze (Gunmetal)	B584 C84400	1400 LG1
Ball	Brass (Chrome Plated)	B124 C37700	2874 CZ122
Seat	PTFE		
Stem	Brass Rod	B16 C36000	2874 CZ121
O-Ring	NBR		
Handle	Steel (Chrome Plated)	A709 36	4360 40B

#### DIMENSIONS

Size		L		H		I	
mm	Inch	mm	Inch	mm	inch	mm	inch
6	1/4	43	1.7	37	1.5	80	3.1
10	3/8	49	1.9	40	1.6	80	3.1
15	1/2	54	2.1	47	1.9	80	3.1
20	3/4	60	2.4	50	2.0	82	3.2
25	1	72	2.8	59	2.3	102	4.0
32	1-1/4	80	3.2	68	2.7	131	5.2
40	1-1/2	93	3.7	72	2.8	131	5.2
50	2	110	4.3	90	3.5	153	6.0
65	2-1/2	135	5.3	121	4.8	225	8.8
80	3	149	5.9	133	5.2	277	10.9
100	4	174	6.9	158	6.2	277	10.9



#### Note:

1. Other materials and threaded standards are available upon request.
2. Design and specifications are subject to change without prior notice.